

CRANE / RECOVERY

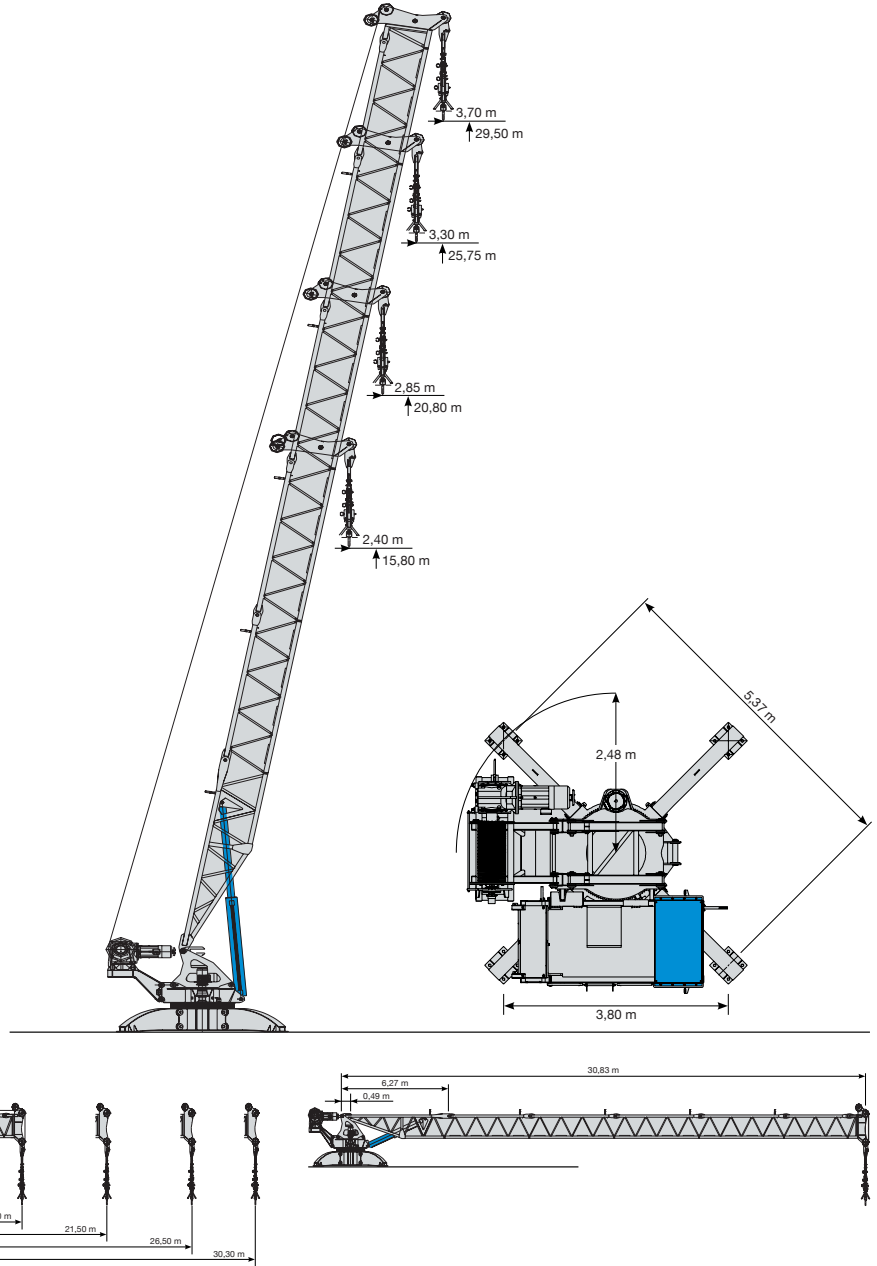
## CDK 100-16

TEREX

With a 30m jib and lifting capacity up to 16t, this specialised recovery crane is an ideal solution for dismantling internal climbing cranes. Once the Terex CDK100 has dismantled the larger crane, it in turn is disassembled by a small stiff leg crane which can then be dismantled and transported via building lifts.

**SPECIFICATIONS**

Max jib length	30 m
Capacity at max length	3.2 t
Max radius	30.3 m
Max capacity	16 t
Engine type	Diesel



WEIGHT MAX	RADIUS MAX	6 m	9 m	12 m	15 m	16.5 m	18 m	21.5 m	24 m	26.5 m	30.3 m
18.00 t	16.88 m	8.00 t	8.00 t	8.00 t	8.00 t	8.00 t	7.33 t	5.69 t	4.80 t	4.08 t	3.20 t
12.00 t	12.25 m	12.00 t	12.00 t	12.00 t	9.33 t	8.24 t	7.33 t	5.69 t	4.80 t	4.08 t	3.20 t
16.00 t	9.56 m	16.00 t	16.00 t	12.29 t	9.33 t	8.24 t	7.33 t	5.69 t	4.80 t	4.08 t	3.20 t
8.00 t	16.67 m	8.00 t	8.00 t	8.00 t	8.00 t	8.00 t	7.21 t	5.60 t	4.73 t	4.00 t	
12.00 t	12.07 m	12.00 t	12.00 t	12.00 t	9.18 t	8.11 t	7.21 t	5.60 t	4.73 t	4.00 t	
16.00 t	9.42 m	16.00 t	16.00 t	12.08 t	9.18 t	8.11 t	7.21 t	5.60 t	4.73 t	4.00 t	
8.00 t	16.27 m	8.00 t	8.00 t	8.00 t	8.00 t	7.85 t	6.99 t	5.40 t			
12.00 t	11.74 m	12.00 t	12.00 t	11.69 t	8.88 t	7.85 t	6.99 t	5.40 t			
16.00 t	9.14 m	16.00 t	16.00 t	11.69 t	8.88 t	7.85 t	6.99 t	5.40 t			
8.00 t	15.78 m	8.00 t	8.00 t	8.00 t	8.00 t	7.50 t					
12.00 t	11.33 m	12.00 t	12.00 t	11.21 t	8.53 t	7.50 t					
16.00 t	8.79 m	16.00 t	15.58 t	11.21 t	8.53 t	7.50 t					